



# 7203/4CX250B

## BEAM POWER TUBE

Ceramic-Metal Seals  
Coaxial-Electrode Structure  
Compact Design

For Use at Frequencies up to 500 Mc  
Forced-Air Cooled  
400 Watts CW Output at 175 Mc  
250 Watts CW Output at 500 Mc

This bulletin also applies to RCA-7204/4CX250F which is identical with RCA-7203/4CX250B except for its heater rating of  $26.5 \pm 10\%$  volts, 0.58 ampere. The 7204 is unilaterally interchangeable with the 4X250F and bilaterally interchangeable with the 4CX250F.

7204/4CX250F

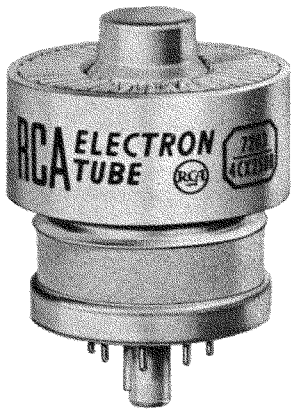
2.464" Max. Length  
1.640" Max. Diameter  
Integral Radiator

RCA-7203/4CX250B is a very small and compact forced-air-cooled beam power tube constructed with ceramic-metal seals throughout and having a maximum plate dissipation of 250 watts. It is intended for service as an af power amplifier and modulator, a wide-band amplifier in video applications, a linear rf power amplifier in single-sideband suppressed-carrier equipment, and a class C amplifier and oscillator. The 7203 can be used with full ratings at frequencies up to 500 megacycles per second.

The ceramic-metal-seal construction employed in the 7203 permits operation at higher temperatures than a glass-seal construction and thus provides improved reliability. The specially designed, high-efficiency radiator which is brazed directly to the plate for better heat transfer, makes possible the maximum plate-dissipation rating of 250 watts with no sacrifice in tube reliability.

The terminal arrangement of the 7203 facilitates use of the tube with tank circuits of the coaxial type. Effective isolation of the output circuit from the input circuit is provided at the higher frequencies by the ring terminal for grid No.2. A base-pin termination for grid No.2 is also available for operation of the 7203 at the lower frequencies.

The 7203 is unilaterally interchangeable with the 4X250B and bilaterally interchangeable with the 4CX250B.



### GENERAL DATA

#### Electrical:

Heater, for Unipotential Cathode:		
Voltage (AC or DC)§ . . . . .	6.0 $\pm$ 10%	volts
Current at 6.0 volts . . . . .	2.6	amp
Minimum heating time . . . . .	30	seconds
Mu-Factor, Grid No.2 to Grid No.1, for grid-No.2 volts = 300 and grid-No.2 ma. = 50 . . . . .		
5.0		
Direct Interelectrode Capacitances (Approx.):□		
Grid No.1 to plate . . . . .	0.03	$\mu\mu\text{f}$
Grid No.1 to cathode, grid No.2, and heater . . . . .	16	$\mu\mu\text{f}$
Plate to cathode, grid No.2, and heater . . . . .	4.4	$\mu\mu\text{f}$

#### Mechanical:

Operating Position . . . . .	Any
Maximum Overall Length . . . . .	2.464"
Maximum Seated Length . . . . .	1.910"
Maximum Diameter . . . . .	1.640"
Base . . . . .	Special 8-Pin
Socket . . . . .	Air-System Socket, such as SK-600 and SK-606 Air Chimney; or 124-110-1 (Supplied with Air Chimney)
Radiator . . . . .	Integral part of tube
Air Flow:	

**Through Indicated Air-System Socket**--This fitting directs the air over the base seals; past the grid-No.2 seal, envelope, and plate seal; and through the radiator to provide effective cooling with minimum air flow. When the tube is operated at maximum plate dissipation for each class of service, a minimum air flow of 3.8 cfm through the system is required. The corresponding pressure drop is approximately 0.3 inch of water. These requirements are for operation at sea level and at an ambient temperature of 20° C. At higher altitudes and ambient temperatures, the air flow must be increased to maintain the respective seal temperatures and the plate temperature within maximum ratings.

**Without Air-System Socket**--If an air-system socket is not used, it is essential that adequate cooling air be directed over the base seals, past the envelope, and through the radiator. Under these conditions and with the tube operating at maximum plate dissipation for each class of service, a minimum air flow of 3.6 cfm must pass through the radiator. The corresponding pressure drop is approximately 0.1 inch of water. These requirements are for operation at sea level and at an ambient temperature of 20° C. At higher altitudes and ambient temperatures, the air flow must be increased to maintain the respective seal temperatures and the plate temperature within maximum ratings.

Plate Temperature (Measured on base end of plate surface at junction with fins) . . . . .	250 max.	°C
Temperature of Plate Seal, Grid-No.2 Seal, and Base Seals . . . . .	250 max.	°C
Weight (Approx.) . . . . .	4	ounces

- Available from Eitel-McCullough, Inc., San Bruno, Calif.
- Available from E. F. Johnson Co., Waseca, Minn.



### AF POWER AMPLIFIER & MODULATOR—Class AB<sub>1</sub>♦

Maximum CCS<sup>®</sup> Ratings, Absolute-Maximum Values:‡

DC PLATE VOLTAGE . . . . .	2000 max.	volts
DC GRID-NO.2 VOLTAGE . . . . .	400 max.	volts
MAX.-SIGNAL DC PLATE CURRENT* . . . . .	250 max.	ma
PLATE DISSIPATION* . . . . .	250 max.	watts
GRID-NO.2 DISSIPATION* . . . . .	12 max.	watts
PEAK HEATER-CATHODE VOLTAGE:		
Heater negative with respect to cathode . . . . .	150 max.	volts
Heater positive with respect to cathode . . . . .	150 max.	volts

#### Typical CCS Operation:

Values are for 2 tubes

DC Plate Voltage . . . . .	1000	1500	2000	volts
DC Grid-No.2 Voltage . . . . .	350	350	350	volts
DC Grid-No.1 Voltage . . . . .	-55	-55	-55	volts
Peak AF Grid-No.1-to-Grid-No.1 Voltage . . . . .	94	94	94	volts
Zero-Signal DC Plate Current . . . . .	166	166	166	ma
Max.-Signal DC Plate Current . . . . .	500	500	500	ma
Zero-Signal DC Grid-No.2 Current . . . . .	0	0	0	ma
Max.-Signal DC Grid-No.2 Current (Approx.) . . . . .	10	8	8	ma
Effective Load Resistance (Plate to plate) . . . . .	3300	6000	8700	ohms
Max.-Signal Driving Power (Approx.) . . . . .	0	0	0	watts
Max.-Signal Power Output (Approx.) . . . . .	220	400	590	watts

#### Maximum Circuit Values:

Grid-No.1-Circuit Resistance (Per tube). 0.1 max. megohm

### RF POWER AMPLIFIER—Class B Television Service

Synchronizing-level conditions per tube unless otherwise specified

Maximum CCS<sup>®</sup> Ratings, Absolute-Maximum Values:‡

54 to 216 Mc

DC PLATE VOLTAGE . . . . .	2000 max.	volts
DC GRID-NO.2 VOLTAGE . . . . .	400 max.	volts
DC GRID-NO.1 VOLTAGE . . . . .	-250 max.	volts
DC PLATE CURRENT (Average)⊕ . . . . .	250 max.	ma
PLATE DISSIPATION . . . . .	250 max.	watts
GRID-NO.2 DISSIPATION . . . . .	12 max.	watts
GRID-NO.1 DISSIPATION . . . . .	2 max.	watts
PEAK HEATER-CATHODE VOLTAGE:		
Heater negative with respect to cathode . . . . .	150 max.	volts
Heater positive with respect to cathode . . . . .	150 max.	volts

#### Typical CCS Operation with Bandwidth of 5 Mc:

DC Plate Voltage . . . . .	1000	1500	2000	volts
DC Grid-No.2 Voltage . . . . .	350	350	350	volts
DC Grid-No.1 Voltage . . . . .	-60	-65	-70	volts
Peak RF Grid-No.1 Voltage:				
Synchronizing level . . . . .	65	71	76	volts
Pedestal level . . . . .	52	57	62	volts
DC Plate Current:				
Synchronizing level . . . . .	355	360	360	ma
Pedestal level . . . . .	250	250	250	ma
DC Grid-No.2 Current:				
Synchronizing level . . . . .	27	29	29	ma
Pedestal level . . . . .	4	0	0	ma
DC Grid-No.1 Current:				
Synchronizing level . . . . .	2	5	5	ma
Pedestal level . . . . .	0	0	0	ma
Driving Power (Approx.):‡				
Synchronizing level . . . . .	0.4	1.2	1.2	watts
Pedestal level . . . . .	0	0	0	watts

Power Output (Approx.):

Synchronizing level . . . . .	160	300	440	watts
Pedestal level . . . . .	90	170	250	watts

### LINEAR RF POWER AMPLIFIER Single-Sideband Suppressed-Carrier Service

Maximum CCS<sup>®</sup> Ratings, Absolute-Maximum Values:‡

Up to 500 Mc

DC PLATE VOLTAGE . . . . .	2000 max.	volts
DC GRID-NO.2 VOLTAGE . . . . .	400 max.	volts
MAX.-SIGNAL DC PLATE CURRENT . . . . .	250 max.	ma
PLATE DISSIPATION . . . . .	250 max.	watts
GRID-NO.2 DISSIPATION . . . . .	12 max.	watts
PEAK HEATER-CATHODE VOLTAGE:		
Heater negative with respect to cathode . . . . .	150 max.	volts
Heater positive with respect to cathode . . . . .	150 max.	volts

#### Typical CCS Class AB<sub>1</sub> "Single-Tone" Operation

up to 175 Mc:‡

DC Plate Voltage . . . . .	1000	1500	2000	volts
DC Grid-No.2 Voltage . . . . .	350	350	350	volts
DC Grid-No.1 Voltage . . . . .	-55	-55	-55	volts
Zero-Signal DC Plate Current . . . . .	83	83	83	ma
Zero-Signal DC Grid-No.2 Current . . . . .	0	0	0	ma
Effective RF Load Resistance . . . . .	1650	3000	4350	ohms
Max.-Signal DC Plate Current . . . . .	250	250	250	ma
Max.-Signal DC Grid-No.2 Current . . . . .	5	4	4	ma
Max.-Signal Peak RF Grid-No.1 Voltage . . . . .	47	47	47	volts
Max.-Signal Driving Power (Approx.) . . . . .	0	0	0	watts
Max.-Signal Power Output (Approx.) . . . . .	110	200	295	watts

#### Typical CCS Operation with "Two-Tone Modulation"

at 30 Mc:‡

DC Plate Voltage . . . . .	1000	1500	2000	volts
DC Grid-No.2 Voltage . . . . .	350	350	350	volts
DC Grid-No.1 Voltage** . . . . .	-55	-55	-55	volts
Zero-Signal DC Plate Current . . . . .	83	83	83	ma
Effective RF Load Resistance . . . . .	1650	3000	4350	ohms
DC Plate Current at Peak of Envelope . . . . .	250	250	250	ma
Average DC Plate Current . . . . .	175	175	175	ma
DC Grid-No.2 Current at Peak of Envelope . . . . .	30	30	30	ma
Average DC Grid-No.2 Current . . . . .	6	9.5	15	ma
Average DC Grid-No.1 Current . . . . .	0	0	0	ma
Peak-Envelope Driver Power (Approx.) . . . . .	1	1	1	watt
Output-Circuit Efficiency (Approx.) . . . . .	95	95	95	%
Distortion Products Level:‡				
Third Order . . . . .	29	29	30	db
Fifth Order . . . . .	40	38	35	db
Useful Power Output (Approx.):‡				
Average . . . . .	55	100	147.5	watts
Peak Envelope . . . . .	110	200	295	watts

#### Maximum Circuit Values:

Grid-No.1-Circuit Resistance Under Any Condition:  
 with fixed bias . . . . . 25000 max. ohms  
 with cathode bias . . . . . Not recommended

### PLATE-MODULATED RF POWER AMP.—Class C Telephony

Carrier conditions per tube for use with a max. modulation factor of 1.0

Maximum CCS<sup>®</sup> Ratings, Absolute-Maximum Values:‡

Up to 500 Mc

DC PLATE VOLTAGE . . . . .	1500 max.	volts
DC GRID-NO.2 VOLTAGE . . . . .	300 max.	volts
DC GRID-NO.1 VOLTAGE . . . . .	-250 max.	volts
DC PLATE CURRENT . . . . .	200 max.	ma



PLATE DISSIPATION. . . . .	165 max.	watts		
GRID-No.2 DISSIPATION. . . . .	8 max.	watts		
GRID-No.1 DISSIPATION. . . . .	2 max.	watts		
PEAK HEATER-CATHODE VOLTAGE:				
Heater negative with respect to cathode . . . . .	150 max.	volts		
Heater positive with respect to cathode . . . . .	150 max.	volts		
<b>Typical CCS Operation at Frequencies up to 175 Mc:</b>				
DC Plate Voltage . . . . .	500	1000 1500	volts	
DC Grid-No.2 Voltage (Modulated approx. 55%) . . . . .	250	250	250	volts
DC Grid-No.1 Voltage . . . . .	-100	-100	-100	volts
Peak RF Grid-No.1 Voltage. . . . .	113	113	113	volts
DC Plate Current . . . . .	200	200	200	ma
DC Grid-No.2 Current . . . . .	32	31	31	ma
DC Grid-No.1 Current (Approx.) . . . . .	6	6	6	ma
Driving Power (Approx.) . . . . .	0.7	0.7	0.7	watt
Power Output (Approx.) . . . . .	50	140	235	watts

**Maximum Circuit Values:**

Grid-No.1-Circuit Resistance Under Any Condition. . . . .	25000 max.	ohms
---	------------	------

**RF POWER AMPLIFIER & OSC.—Class C Telegraphy†  
and  
RF POWER AMPLIFIER—Class C FM Telephony**

**Maximum CCS\* Ratings, Absolute-Maximum Values:‡**

*Up to 500 Mc*

DC PLATE VOLTAGE . . . . .	2000 max.	volts
DC GRID-No.2 VOLTAGE . . . . .	300 max.	volts
DC GRID-No.1 VOLTAGE . . . . .	-250 max.	volts
DC PLATE CURRENT . . . . .	250 max.	ma
PLATE DISSIPATION. . . . .	250 max.	watts
GRID-No.2 DISSIPATION. . . . .	12 max.	watts
GRID-No.1 DISSIPATION. . . . .	2 max.	watts
PEAK HEATER-CATHODE VOLTAGE:		
Heater negative with respect to cathode . . . . .	150 max.	volts
Heater positive with respect to cathode . . . . .	150 max.	volts

**Typical CCS Operation at Frequencies up to 175 Mc:**

DC Plate Voltage . . . . .	500	1000	1500	2000	volts
DC Grid-No.2 Voltage . . . . .	250	250	250	250	volts
DC Grid-No.1 Voltage . . . . .	-90	-90	-90	-90	volts
Peak RF Grid-No.1 Voltage. . . . .	109	109	109	109	volts
DC Plate Current . . . . .	250	250	250	250	ma
DC Grid-No.2 Current . . . . .	48	45	36	30	ma
DC Grid-No.1 Current (Approx.) . . . . .	12	12	11	11	ma
Driving Power (Approx.) . . . . .	1	1	1	1	watt
Power Output (Approx.) . . . . .	65	180	290	400	watts

**Typical CCS Operation at Frequency of 500 Mc with**

**Coaxial Cavity:**

DC Plate Voltage. . . . .	2000	volts
DC Grid-No.2 Voltage. . . . .	300	volts
DC Grid-No.1 voltage. . . . .	-90	volts
DC Plate Current. . . . .	250	ma
DC Grid-No.2 Current. . . . .	10	ma
DC Grid-No.1 Current (Approx.) . . . . .	25	ma
Driver Power Output (Approx.) . . . . .	18	watts
Useful Power Output (Approx.) . . . . .	250	watts

**Maximum Circuit Values:**

Grid-No.1-Circuit Resistance Under Any Condition . . . . .	25000 max.	ohms
--	------------	------

**CHARACTERISTICS RANGE VALUES FOR EQUIPMENT DESIGN**

*Note Min. Max.*

Heater Current:				
Type 7203. . . . .	1	2.3	2.9	amp
Type 7204. . . . .	2	0.50	0.62	amp

	<i>Note</i>	<i>Min.</i>	<i>Max.</i>	
Direct Interelectrode Capacitances (Types 7203 & 7204): □				
Grid No.1 to plate . . . . .	-	-	0.06	μμf
Grid No.1 to cathode, grid No.2, and heater. . . . .	-	14.2	17.2	μμf
Plate to cathode, grid No.2, and heater. . . . .	-	4.0	4.8	μμf
Grid-No.1 Voltage:				
Type 7203. . . . .	1,3,7,8			
Type 7204. . . . .	2,3,7,8	-32	-46	volts
Grid-No.2 Current:				
Type 7203. . . . .	1,3,7,8			
Type 7204. . . . .	2,3,7,8	-7	+3	ma
Useful Power Output:				
Type 7203. . . . .	5,7,8			
Type 7204. . . . .	6,7,8	225	-	watts

- Note 1: With 6.0 volts on heater.
- Note 2: With 26.5 volts on heater.
- Note 3: With dc plate voltage of 1000 volts, dc grid-No.2 voltage of 300 volts, and grid-No.1 voltage adjusted to give plate current of 150 ma.
- Note 4: With plate floating, dc grid-No.2 voltage of 300 volts, and grid-No.1 voltage adjusted to give grid-No.2 current of 50 ma.
- Note 5: With heater voltage of 5.5 volts, dc plate voltage of 2000 volts, dc grid-No.2 voltage of 300 volts, dc grid-No.1 bias of -90 volts, dc grid-No.1 current of 25 ma maximum, grid-No.1 signal voltage adjusted to produce dc plate current of 250 ma, and coaxial-cavity amplifier circuit operating at a frequency of 475 Mc.
- Note 6: Same as Note 5 except heater voltage is 24.3 volts.
- Note 7: With Forced-Air Cooling as specified under GENERAL DATA—Air-System Socket.
- Note 8: Heater voltage must be applied for at least 30 seconds before application of other voltages.

**SPECIAL PERFORMANCE DATA**

**Interelectrode Leakage:**

This test is destructive and is performed on a sample lot of tubes from each production run under the following conditions: ac heater volts=6.6 for type 7203 or 29.1 for type 7204, no voltage on other elements, and specified forced-air cooling for Air-System Socket. At the end of 500 hours, with tube at 25° C, and with no voltage applied to heater, the minimum resistance between indicated electrodes as measured with a 500-volt Megger-type ohmmeter having an internal impedance of 2.5 megohms, will be:

Grid No.1 and Grid No.2. . . . .	10 min. megohms
Grid No.1 and Cathode. . . . .	10 min. megohms
Grid No.2 and Cathode. . . . .	10 min. megohms

§ Because the cathode is subjected to considerable back bombardment as the frequency is increased with resultant increase in temperature, the heater voltage should be reduced depending on operating conditions and frequency to prevent overheating the cathode and resultant short life.

□ With cylindrical shield JEDEC No.320 surrounding radiator; and with a cylindrical shield JEDEC No.321 surrounding the grid-No.2 ring terminal. Both shields are connected to ground.

\* The maximum ratings in the tabulated data are established in accordance with the following definition of the Absolute-Maximum Rating System for rating electron devices. Absolute-Maximum ratings are limiting values of operating and environmental conditions applicable to any electron device of a specified type as defined by its published data, and should not be exceeded under the worst probable conditions.

The device manufacturer chooses these values to provide acceptable serviceability of the device, taking no responsibility for equipment variations, environment variations, and the effects of changes in operating conditions due to variations in device characteristics.



The equipment manufacturer should design so that initially and throughout life no Absolute-Maximum value for the intended service is exceeded with any device under the worst probable operating conditions with respect to supply-voltage variation, equipment component variation, equipment control adjustment, load variation, signal variation, environmental conditions, and variations in device characteristics.

Subscript 1 indicates that grid-No.1 current does not flow during any part of the input cycle.

Continuous Commercial Service.

Averaged over any audio-frequency cycle of sine-wave form.

Averaged over any frame.

The driver stage is required to supply tube losses and rf circuit losses. The driver stage should be designed to provide an excess of power above the indicated values to take care of variations in line voltage, in components, in initial tube characteristics, and in tube characteristics during life.

"Single-Tone" operation refers to that class of amplifier service in which the grid-No.1 input consists of a monofrequency rf signal having constant amplitude. This signal is produced in a single-sideband suppressed-carrier system when a single audio frequency of constant amplitude is applied to the input of the system.

Preferably obtained from a fixed supply.

"Two-Tone Modulation" operation refers to that class of amplifier service in which the input consists of two equal monofrequency rf signals having constant amplitude. These signals are produced in a single-sideband suppressed-carrier system when two equal-and-constant-amplitude audio frequencies are applied to the input of the system.

Obtained from a fixed supply.

Without the use of feedback to enhance linearity.

Measured at load of output circuit having indicated efficiency.

The dc grid-No.2 voltage must be modulated approximately 55% in phase with the plate modulation in order to obtain 100% modulation of the 7203. The use of a series grid-No.2 resistor or reactor may not give satisfactory performance and is therefore not recommended.

Obtained from grid-No.1 resistor or from a combination of grid-No.1 resistor with either fixed supply or cathode resistor.

Key-down conditions per tube without amplitude modulation. Amplitude modulation essentially negative may be used if the positive peak of the audio-frequency envelope does not exceed 115% of the carrier conditions.

## OPERATING CONSIDERATIONS

The *maximum temperatures* in the tabulated data for the base seals, grid-No.2 seal, plate seal, and plate are tube ratings and are to be observed in the same manner as other tube ratings. The temperature of the respective seals and of the plate may conveniently be measured with temperature-sensitive paint, such as Tempilaq. The latter is made by the Tempil Corporation, 132 W. 22nd Street, New York 11, N.Y. in the form of liquid and stick.

The *socket* for the 7203 should be of a type (such as is indicated in the tabulated data) which permits adequate air-cooling of the tube. Although the base will fit a conventional lock-in socket, the latter does not permit adequate cooling and its use is therefore not recommended.

The *plate connection* is made by means of a metal band or spring contacts to the cylindrical surface of the radiator. It is essential that the contact areas be kept clean to minimize rf losses especially at the higher frequencies.

The *rated plate and grid-No.2 voltages of this tube are extremely dangerous to the user*. Great care should be taken during the adjustment of circuits. The tube and its associated apparatus, especially all parts which may be at high potential above ground, should be housed in a protective enclosure. The protective housing should be designed with interlocks so that personnel can not possibly come in contact with any high-potential point in the electrical system. The interlock devices should function to break the primary circuit of the high-voltage supplies when any gate or door on the protective housing is opened, and should prevent the closing of this primary circuit until the door is again locked.

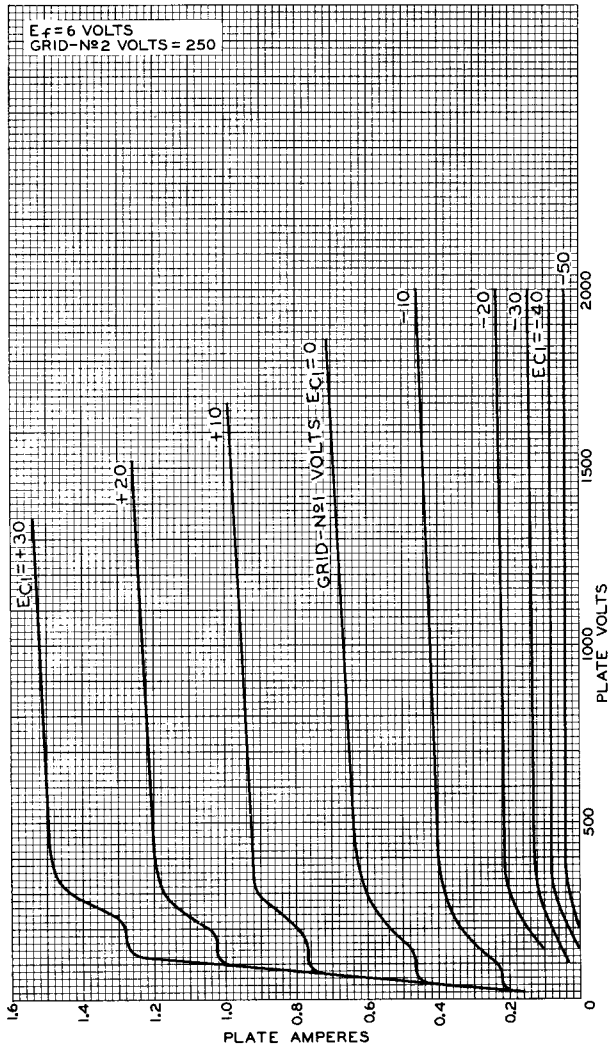


Fig. 1 - Typical Plate Characteristics of Type 7203.

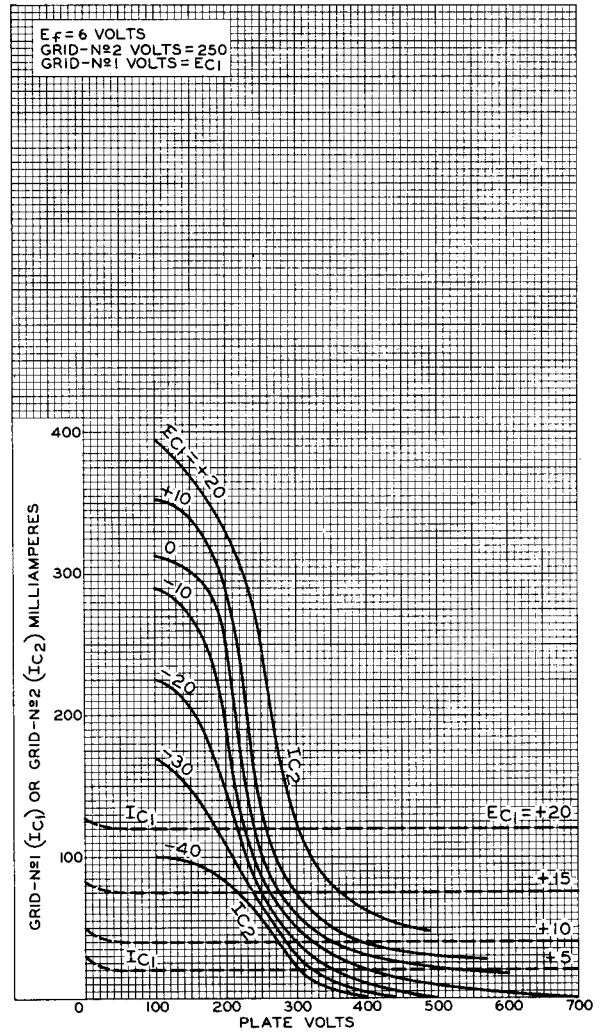


Fig. 2 - Typical Characteristics of Type 7203.

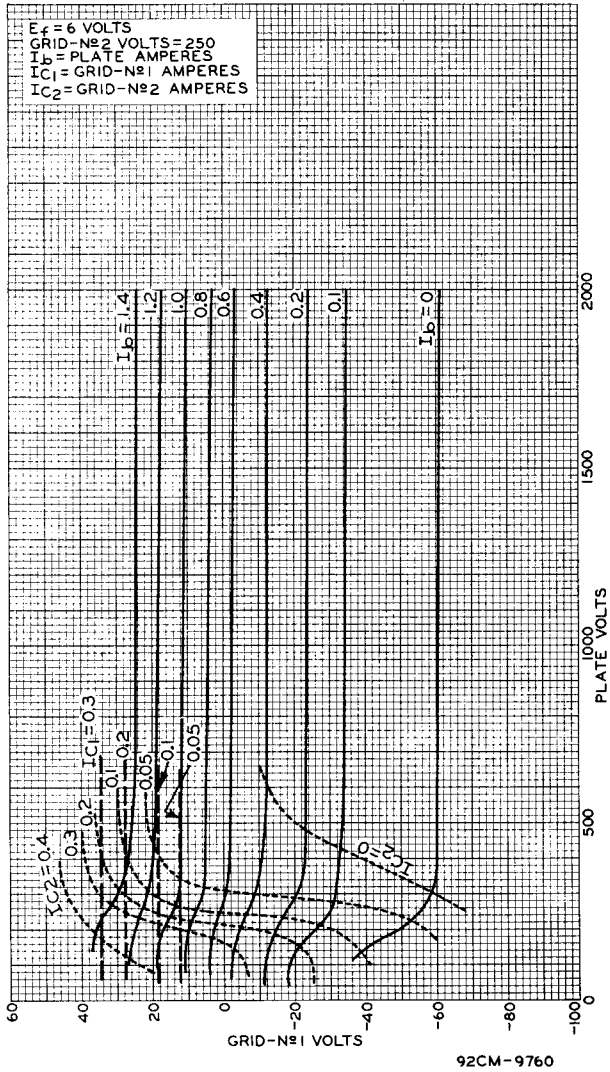


Fig. 3 - Typical Constant-Current Characteristics of Type 7203.

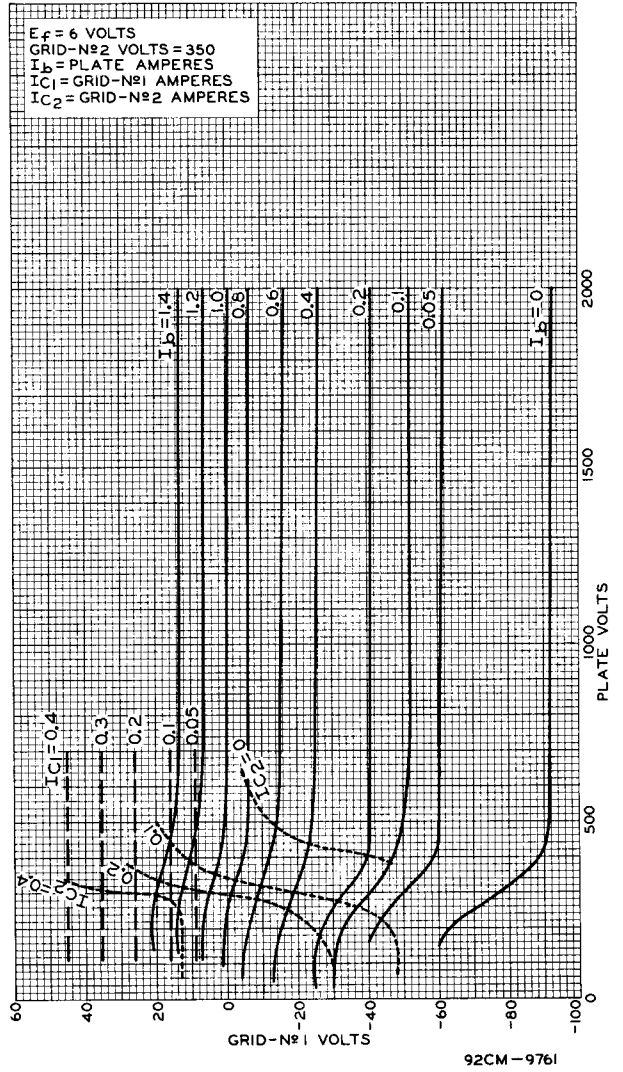
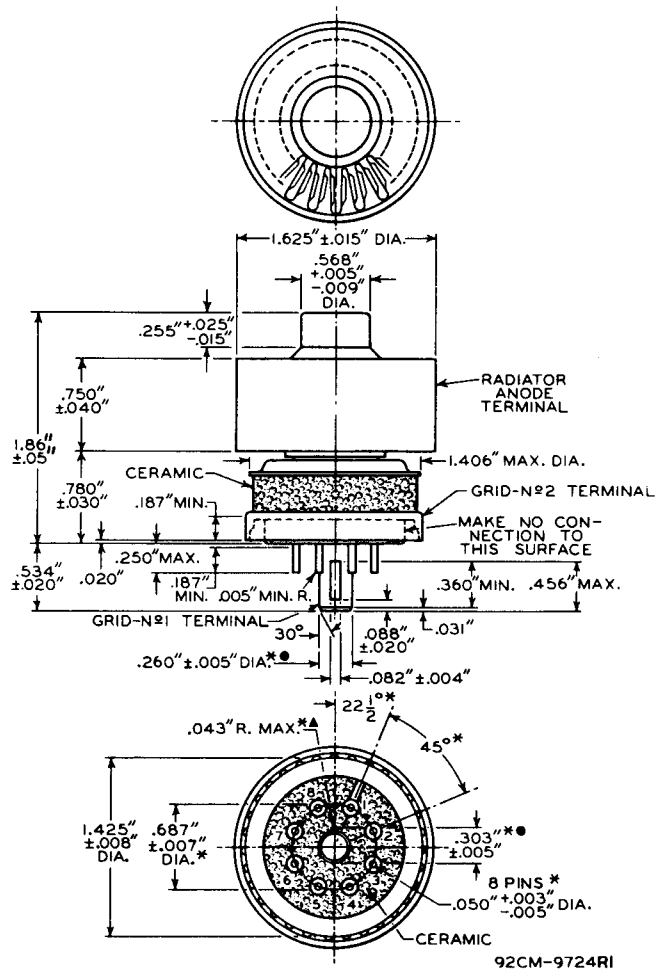


Fig. 4 - Typical Constant-Current Characteristics of Type 7203.



## DIMENSIONAL OUTLINE



92CM-9724RI

GRID-No.1 PLUG DIMENSIONS ARE MEASURED BY THE USE OF THE SERIES OF GAUGES SHOWN IN SKETCHES G<sub>1</sub> AND G<sub>2</sub>. IN THE FOLLOWING INSTRUCTIONS FOR THE USE OF THESE GAUGES, "GO" INDICATES THAT THE ENTIRE GRID-No.1 PLUG KEY WILL ENTER THE GAUGE; AND "NO-GO" INDICATES THAT THE GRID-No.1 PLUG KEY WILL NOT ENTER THE GAUGE MORE THAN 1/16". INSTRUCTIONS FOR THE USE OF THE GAUGES FOLLOW:

▲ GAUGES G<sub>1</sub>-1, G<sub>1</sub>-2, G<sub>1</sub>-3, AND G<sub>1</sub>-4:  
 USING ONLY SLOT C, TRY THESE GAUGES IN NUMERICAL ORDER UNTIL ONE IS FOUND THAT WILL ACCEPT THE ENTIRE

GRID-No.1 PLUG. USING THE FIRST GAUGE THUS FOUND, IT WILL NOT BE POSSIBLE TO INSERT THE GRID-No.1 PLUG IN SLOT B.

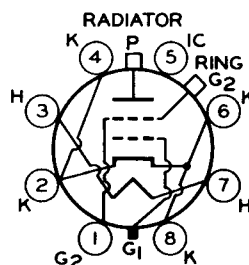
● GAUGES G<sub>2</sub>-1, G<sub>2</sub>-2, AND G<sub>2</sub>-3:  
 THE GRID-No.1 PLUG WILL BE REJECTED BY GAUGES G<sub>2</sub>-1 AND G<sub>2</sub>-2, BUT WILL BE ACCEPTED BY GAUGE G<sub>2</sub>-3.

\* BASE-PIN POSITIONS ARE HELD TO TOLERANCES SUCH THAT THE ENTIRE LENGTH OF THE PINS WILL, WITHOUT UNDUE FORCE, PASS INTO AND DISENGAGE FROM THE FLAT-PLATE GAUGE SHOWN IN SKETCH G<sub>3</sub>.

## BASING DIAGRAM

### Bottom View

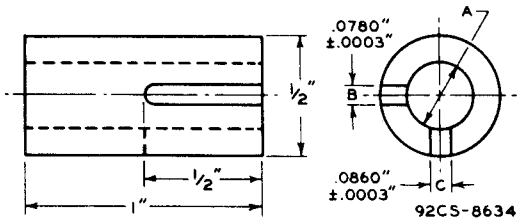
- PIN 1: GRID No.2 (For use at the lower frequencies)
- PIN 2: CATHODE
- PIN 3: HEATER
- PIN 4: CATHODE
- PIN 5: INTERNAL CONNECTION-- DO NOT USE
- PIN 6: CATHODE



- PIN 7: HEATER
- PIN 8: CATHODE
- BASE INDEX PLUG: GRID No.1
- RADIATOR: PLATE
- RING TERMINAL: GRID No.2 (For use at the higher frequencies)

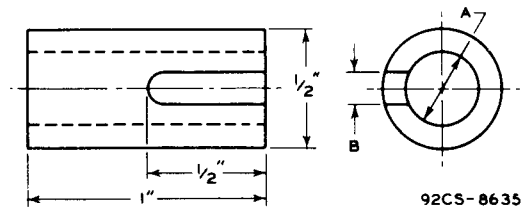


Gauge Sketch G<sub>1</sub>



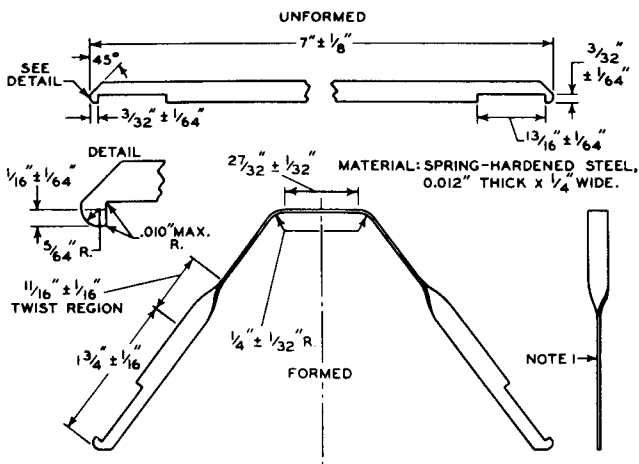
Gauge	Dimension A
G <sub>1</sub> - 1	.2575" + .0000" - .0005"
G <sub>1</sub> - 2	.2600" + .0000" - .0005"
G <sub>1</sub> - 3	.2625" + .0000" - .0005"
G <sub>1</sub> - 4	.2650" + .0000" - .0005"

Gauge Sketch G<sub>2</sub>



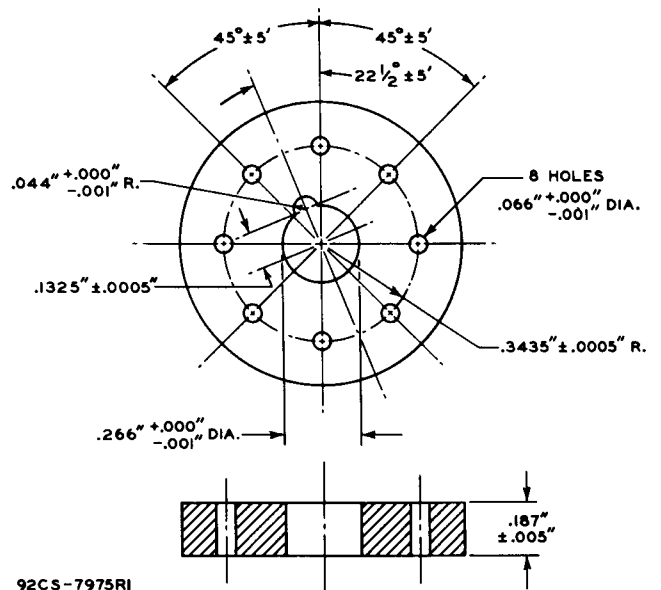
Gauge	Dimension	
	A	B
G <sub>2</sub> - 1	.2550" + .0000" - .0005"	.125"
G <sub>2</sub> - 2	.2980" + .0000" - .0005"	none
G <sub>2</sub> - 3	.3080" + .0000" - .0005"	none

Suggested Design for Extractor to Remove Tube from Cavity



NOTE 1: BURR MUST NOT EXCEED 0.002" IN DIRECTION PERPENDICULAR TO FLAT SURFACES. THE CORRESPONDING FLAT SURFACES OF THE TWO LEGS SHOULD BE IN THE SAME PLANE WITHIN 1/16".

Gauge Sketch G<sub>3</sub>



TOLERANCES ARE NOT CUMULATIVE

Information furnished by RCA is believed to be accurate and reliable. However, no responsibility is assumed by RCA for its use; nor for any infringements of patents or other rights of third parties which may result from its use. No license is granted by implication or otherwise under any patent or patent rights of RCA.